

3M™ Abrasive Systems

NEW 3M™ Elite Series Air-Powered Random Orbital/Orbital Sanders

NEW 3M™ Electric Random Orbital Sanders



Redefining the finish line.

3M™ Elite Series Sanders



3M™ Electric Sanders



NEW Elite Series Air-Powered Sanders and **NEW** Electric Random Orbital Sanders

- Two new tool lineups.
- Ergonomic enhancements for increased operator comfort.
- Innovative design upgrades for longer tool life, and greater productivity.
- Power-packed with performance.

3M

Meet the **New** 3M Power Players



3M™ Electric Random Orbital Sanders Focused power that strikes where you need it

A mobile strikeforce that goes where air supply may be suboptimal, yet packs a punch with its .20-.24 HP motor.

Electric Power for efficiency and convenience

- Portability – wherever electricity is available
- Consistent performance when air supply is inadequate or unavailable
- Can lower operating costs where tool usage and replacement is moderate

Designed for the operator

- Unique low profile for maximum control
- Ergonomically enhanced for less vibration, quiet operation, more wrist support and overall operator comfort

Endless solutions.

Power-packed performance.

Built-in comfort.

Combine 3M™ Power Tools, 3M™ Abrasives, 3M™ Accessories to

Endless Solutions – tailored for you – exist with the new 3M™ Electric or Elite Series Air Sanders combined with 3M™ Abrasives and Accessories.

Less Vibration for More Comfort –

We've redefined ergonomics. The compact, low-profile and lightweight design features cushioned 360° wrap-around 3M™ Gripping

Material that extends to the base, absorbing and reducing vibration.

The result? Operators can produce more with less effort and fatigue.

Increased Durability for Decreased Downtime – Enhanced tool design minimizes common repair issues





3M™ Elite Random Orbital Sanders

Premier comfort combined with long-lasting performance

3M's most innovative improvements for operations that are tough on tools through constant usage. The durability and operator ergonomics of 3M's Elite line of air tools will blow you away.

Built to last

- Durable composite cover reduces cracked housings and downtime
- Sturdy, lightweight aluminum body
- No breakage of internally located muffler
- .28 HP for your biggest sanding jobs
- Repositioned air valve to eliminate inadvertent adjustment

Designed for maximum operator comfort

- Ergonomically enhanced for less vibration, quiet operation, more wrist support and overall operator comfort
- Lever is recessed, so no pinch points
- Extended-to-base grip for improved tactile feel and reduced vibration

Maximize Productivity!

so your tools spend more time on the floor, and less time "on the bench."

New 3M™ Power Tools Give You More Options – Dozens of tools with more choices for vacuum options, grip sizes, orbits, tool diameter sizes and RPMs.

The 3M™ Original Series Sanders.

If you loved the original line of air-powered 3M™ Random Orbital Sanders for general-purpose applications, many models are **still available** (see page 5 for configurations available). This innovative line set the standard for outstanding performance, value, reliability and operator comfort.



Today's players continue the tradition of exceeding expectations and providing excellent results – especially when used with 3M™ Abrasives and 3M™ Accessories.



NEW! The 3M™ Elite Series Sanders

Rugged Durability. Enhanced Comfort. Proven Performance. Get it all.

3M took our best line of air-powered Random Orbital Sanders and just made it better.

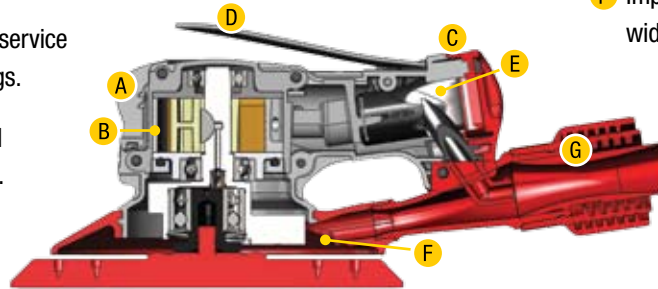
- A** Composite cover with Exclusive 3M™ Gripping Material extends to base to absorb and reduce vibration.
- B** The aluminum body reduces downtime, and keeps tools in service by preventing cracked housings.
- C** The wrist rest is extended and curved for more wrist support.

- D** Lever is recessed, so no pinch points.
- E** An internal muffler, *now also on SGV models*, decreases noise up to 4 dB.

Mufflers have also been relocated internally, so they won't easily break off.

- F** Improved dust collection port – wider port for improved dust collection.

- G** Improved angle on dust housing allows easier access to air fitting.



NEW! The 3M™ Electric Sanders

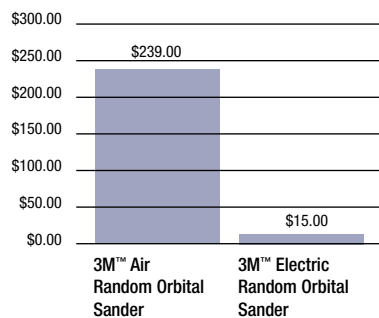
When you need performance that compressed air can't provide.

Sometimes, air compressors are not able to consistently supply clean, dry air at the right pressure, leading to inconsistent performance. Sometimes you need the mobility to use 3M tools where compressed air isn't available. That's when you can count on the consistency and versatility of our premium 3M™ Electric Random Orbital Sanders.

- 1** Provides significant energy cost savings vs. pneumatics.

You could recoup your initial investment in the first year of operation.

Annual Electricity Usage Estimate



Other factors may affect electricity usage. Cost savings is not guaranteed.

Assumptions:

Compressor Size (HP)	100
Efficiency of Compressor	90%
Cost of Electricity	\$0.07 per kWh
Per day use	4 Hours

- 2** 150 Watts (30 Volts d.c. at 5 Amps) uses power much more efficiently than other electric sanders, and doesn't transfer that power into excess heat.
- 3** Low-profile design enables increased operator control and less vibration.
- 4** The integrated extended wrist rest is curved to offer more wrist support.

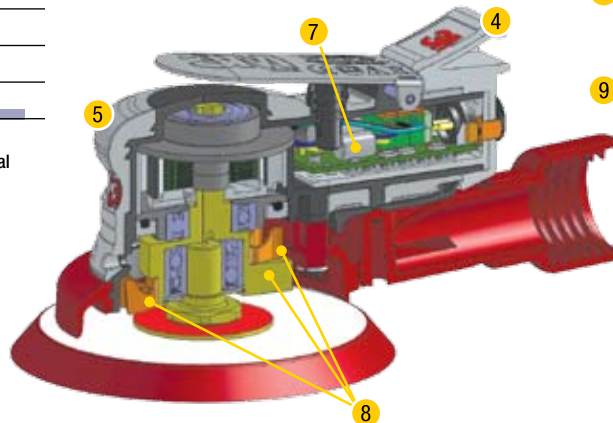
- 5** Composite cover with exclusive 3M™ Gripping Material extends to base to absorb and reduce vibration.

- 6** The quiet motor design reduces overall noise.

- 7** Sealed motor prevents contamination and extends tool life.

- 8** Proprietary cooling that curbs premature tool burnout.

- 9** Variable speed settings for customizing performance.



The Right Tools

NEW! 3M™ Elite Series Air-Powered Sanders

3M UPC#	Part No	Tools Description	Note: ROS = Random Orbital Sander
3M™ Elite Series <i>Non-Vacuum</i> Random Orbital Sanders			
00-051141-28496-5	28496	3M™ ROS Elite Series, 28496, 3 in dia., 3/32 in Orbit	
00-051141-28494-1	28494	3M™ ROS Elite Series, 28494, 3 in dia., 3/16 in Orbit	
00-051141-28498-9	28498	3M™ ROS Elite Series, 28498, 5 in dia., 3/32 in Orbit	
00-051141-28497-2	28497	3M™ ROS Elite Series, 28497, 5 in dia., 3/16 in Orbit	
00-051141-28495-8	28495	3M™ ROS Elite Series, 28495, 5 in dia., 5/16 in Orbit	
00-051141-28501-6	28501	3M™ ROS Elite Series, 28501, 6 in dia., 3/32 in Orbit	
00-051141-28500-9	28500	3M™ ROS Elite Series, 28500, 6 in dia., 3/16 in Orbit	
00-051141-28499-6	28499	3M™ ROS Elite Series, 28499, 6 in dia., 5/16 in Orbit	
3M™ Elite Series <i>Central Vacuum</i> Random Orbital Sanders			
00-051141-28505-4	28505	3M™ ROS Elite Series, 28505, 3 in dia., 3/32 in Orbit	
00-051141-28503-0	28503	3M™ ROS Elite Series, 28503, 3 in dia., 3/16 in Orbit	
00-051141-28507-8	28507	3M™ ROS Elite Series, 28507, 5 in dia., 3/32 in Orbit	
00-051141-28506-1	28506	3M™ ROS Elite Series, 28506, 5 in dia., 3/16 in Orbit	
00-051141-28504-7	28504	3M™ ROS Elite Series, 28504, 5 in dia., 5/16 in Orbit	
00-051141-28509-2	28509	3M™ ROS Elite Series, 28509, 6 in dia., 3/32 in Orbit	
00-051141-28508-5	28508	3M™ ROS Elite Series, 28508, 6 in dia., 3/16 in Orbit	
00-051141-28502-3	28502	3M™ ROS Elite Series, 28502, 6 in dia., 5/16 in Orbit	
3M™ Elite Series <i>Self-Generated Vacuum</i> Random Orbital Sanders			
00-051141-28513-9	28513	3M™ ROS Elite Series, 28513, 3 in dia., 3/32 in Orbit	
00-051141-28511-5	28511	3M™ ROS Elite Series, 28511, 3 in dia., 3/16 in Orbit	
00-051141-28515-3	28515	3M™ ROS Elite Series, 28515, 5 in dia., 3/32 in Orbit	
00-051141-28514-6	28514	3M™ ROS Elite Series, 28514, 5 in dia., 3/16 in Orbit	
00-051141-28512-2	28512	3M™ ROS Elite Series, 28512, 5 in dia., 5/16 in Orbit	
00-051141-28517-7	28517	3M™ ROS Elite Series, 28517, 6 in dia., 3/32 in Orbit	
00-051141-28516-0	28516	3M™ ROS Elite Series, 28516, 6 in dia., 3/16 in Orbit	
00-051141-28510-8	28510	3M™ ROS Elite Series, 28510, 6 in dia., 5/16 in Orbit	
3M™ Elite Series <i>Orbital Sanders</i>			
00-051141-28527-6	28527	3M™ Orbital Elite Series, 28527, 70 mm X 198 mm, 1/8 in Orbit – Non-Vac	
00-051141-28528-3	28528	3M™ Orbital Elite Series, 28528, 70 mm X 198 mm, 1/8 in Orbit – Central Vac	
00-051141-28529-0	28529	3M™ Orbital Elite Series, 28529, 70 mm X 198 mm, 1/8 in Orbit – Self-Gen Vac	



The Right Tools

NEW! 3M™ Electric Sanders

3M UPC#	Part No	Tools Description	Note: ROS = Random Orbital Sander
3M™ Electric <i>Non-Vacuum</i> Random Orbital Sanders			
00-051141-28523-8	28523	3M™ Electric ROS Kit 28523, 5 in dia., (2.5 mm), 3/32 in Orbit	Kit Includes: 1 Electric Sander 1 Power Supply w/AC Cord 1 12" Cord
00-051141-28524-5	28524	3M™ Electric ROS Kit 28524, 5 in dia., (5 mm), 3/16 in Orbit	
00-051141-28525-2	28525	3M™ Electric ROS Kit 28525, 6 in dia., (2.5 mm), 3/32 in Orbit	
00-051141-28526-9	28526	3M™ Electric ROS Kit 28526, 6 in dia., (5 mm), 3/16 in Orbit	
00-051141-28426-2	28426	3M™ Electric ROS 28426, 5 in dia., (2.5 mm), 3/32 in Orbit	
00-051141-28427-9	28427	3M™ Electric ROS 28427, 5 in dia., (5 mm), 3/16 in Orbit	
00-051141-28428-6	28428	3M™ Electric ROS 28428, 6 in dia., (2.5 mm), 3/32 in Orbit	
00-051141-28429-3	28429	3M™ Electric ROS 28429, 6 in dia., (5 mm), 3/16 in Orbit	
3M™ Electric <i>Central Vacuum</i> Random Orbital Sanders			
00-051141-28519-1	28519	3M™ Electric ROS Kit 28519, 5 in dia., (2.5 mm), 3/32 in Orbit	Kit Includes: 1 Electric Sander 1 Power Supply w/AC Cord 1 12" Cord
00-051141-28520-7	28520	3M™ Electric ROS Kit 28520, 5 in dia., (5 mm), 3/16 in Orbit	
00-051141-28521-4	28521	3M™ Electric ROS Kit 28521, 6 in dia., (2.5 mm), 3/32 in Orbit	
00-051141-28522-1	28522	3M™ Electric ROS Kit 28522, 6 in dia., (5 mm), 3/16 in Orbit	
00-051141-28430-9	28430	3M™ Electric ROS 28430, 5 in dia., (2.5 mm), 3/32 in Orbit	
00-051141-28431-6	28431	3M™ Electric ROS 28431, 5 in dia., (5 mm), 3/16 in Orbit	
00-051141-28432-3	28432	3M™ Electric ROS 28432, 6 in dia., (2.5 mm), 3/32 in Orbit	
00-051141-28433-0	28433	3M™ Electric ROS 28433, 6 in dia., (5 mm), 3/16 in Orbit	
3M™ Electric Random Orbital Sander <i>Accessories</i>			
00-051141-28434-7	28434	3M™ Power Cord 28434, Low Voltage, 18AWG, 12 feet	
00-051141-28435-4	28435	3M™ Power Cord, Extra Long 28435, Low Voltage, 24 feet	
00-051141-28436-1	28436	3M™ Power Supply with AC Power Cord 28436	
00-051141-28478-1	28478	3M™ AC Power Cord 28478, 110 volt	

3M™ Original Series Air-Powered Sanders

3M UPC#	Part No	Tools Description
3M™ Original <i>Non-Vacuum</i> Pneumatic Sanders		
00-051141-20331-7	20331	3M™ Orbital Sander PN20331, 3 in x 4 in 10,000 RPM
00-051141-28337-1	28337	3M™ Random Orbital Sander – Two-Hand PN28337, 6 in dia., 3/8 in Orbit
00-051141-20317-1	20317	3M™ Random Orbital Sander PN20317, 5 in dia., 3/16 in Orbit
00-051141-20324-9	20324	3M™ Random Orbital Sander PN20324, 6 in dia., 5/16 in Orbit
00-051141-20325-6	20325	3M™ Random Orbital Sander PN20325, 6 in dia., 3/16 in Orbit
00-051141-20244-0	20244	3M™ Mini Random Orbital Nib Sander PN20244, 1-1/4 in x 3/16 in Orbit
3M™ Original <i>Central Vacuum</i> Pneumatic Sanders		
00-051141-20430-7	20430	3M™ Orbital Sander PN20430, 3 in x 4 in 10,000 RPM
3M™ Original <i>Self-Generated Vacuum</i> Pneumatic Sanders		
00-051141-20431-4	20431	3M™ Orbital Sander PN20431, 3 in x 4 in 10,000 RPM
00-051141-20208-2	20208	3M™ Random Orbital Sander PN20208, 6 in dia., 5/16 in Orbit
00-051141-20319-5	20319	3M™ Random Orbital Sander PN20319, 5 in dia., 3/16 in Orbit
00-051141-20327-0	20327	3M™ Random Orbital Sander PN20327, 6 in dia., 3/16 in Orbit



And the Right Accessories to Optimize Your System

Disc Pads

Tool Size	Stikit™			Hookit™		
	Stock Removal			Stock Removal		
Application	High	Medium	Finishing	High	Medium	Finishing
	PAD HARDNESS			PAD HARDNESS		
	Firm	Medium	Soft	Firm	Medium	Soft
3" Non Vac Random Orbital Sander						
Removal		20348			20350	
3" Central or Self Gen Vac Random Orbital Sanders						
Removal					20350	
5" Non Vac Random Orbital Sanders						
Removal	20351 05555 85104 05555B	05575 45215 88736 05575B	05545	20352		
5" Central or Self Gen Vac Random Orbital Sanders						
Removal	05655 05655B	45217	05645	20353	20206	20290 77856
6" Non Vac Random Orbital Sanders						
Removal	05556 20354	05576 05576B	05546	20355 05756	05776	
6" Central or Self Gen Vac Sanders						
Removal	05656 05656	45218	05646		20356 05876	20425
Orbital Sanders						
3" x 4" Non Vac					20433	
3" x 4" Central or Self Gen Vac					20435	
70 mm x 198 mm Non Vac					28531	
70 mm x 198 mm Central or Self Gen Vac					28531	

■ = Clean Sanding Disc

Disc Pads



Clean Sanding Accessories

Accessory	Description	Part No.	UPC	Qty
3M™ Air Tool Lubricant	4 fl. oz	20451	051141-20451-2	1
Large Filter Bag – HEPA Rated	Up to .5 Lbs	20452	051141-20452-9	50
X-Large Filter Bag – HEPA Rated	Up to .3 Lbs	28364	051141-28364-7	20
Backpack Assembly		28365	051141-28365-4	1
Filter Bag Adapter	1" Ext Hose Thread X 1" ID	20453	051141-20453-6	10
Filter Bag End Cap		28383	051141-28383-8	1

Air Lubricant



Large Filter Bag

X-Large Filter Backpack

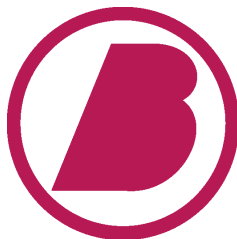


Product Use: All statements, technical information and recommendations contained in this document are based upon tests or experience that 3M believes are reliable. However, many factors beyond 3M's control can affect the use and performance of a 3M product in a particular application, including the conditions under which the product is used and the time and environmental conditions in which the product is expected to perform. Since these factors are uniquely within the user's knowledge and control, it is essential that the user evaluate the 3M product to determine whether it is fit for a particular purpose and suitable for the user's method of application.

Warranty and Limited Remedy: Unless stated otherwise in 3M's product literature, packaging inserts or product packaging for individual products, 3M warrants that each 3M product meets the applicable specifications at the time 3M ships the product. Individual products may have additional or different warranties as stated on product literature, package inserts or product packages. **3M MAKES NO OTHER WARRANTIES, EXPRESS OR IMPLIED, INCLUDING, BUT NOT LIMITED TO, ANY IMPLIED WARRANTY OF MERCHANTABILITY OR FITNESS FOR A PARTICULAR PURPOSE OR ANY IMPLIED WARRANTY ARISING OUT OF A COURSE OF DEALING, CUSTOM OR USAGE OF TRADE.** User is responsible for determining whether the 3M product is fit for a particular purpose and suitable for user's application. If the 3M product is defective within the warranty period, your exclusive remedy and 3M's and seller's sole obligation will be, at 3M's option, to replace the product or refund the purchase price.

Limitation of Liability: Except where prohibited by law, 3M and seller will not be liable for any loss or damage arising from the 3M product, whether direct, indirect, special, incidental, or consequential, regardless of the legal theory asserted, including warranty, contract, negligence, or strict liability.

DISTRIBUTED BY:



A.E. BLAKE SALES
LES VENTES A.E. BLAKE

For more information please contact us:

In Montreal at 1-800-879-5748

In Toronto at 1-888-664-2643

www.aeblake.ca

3M

Abrasive Systems Division
3M Canada

3M, Hookit, Stikit and Trizact are trademarks of 3M. Used under license in Canada.

Please Recycle. Printed in Canada.
© 2011, 3M. All rights reserved.
1109-03037 E BA-11-16379